



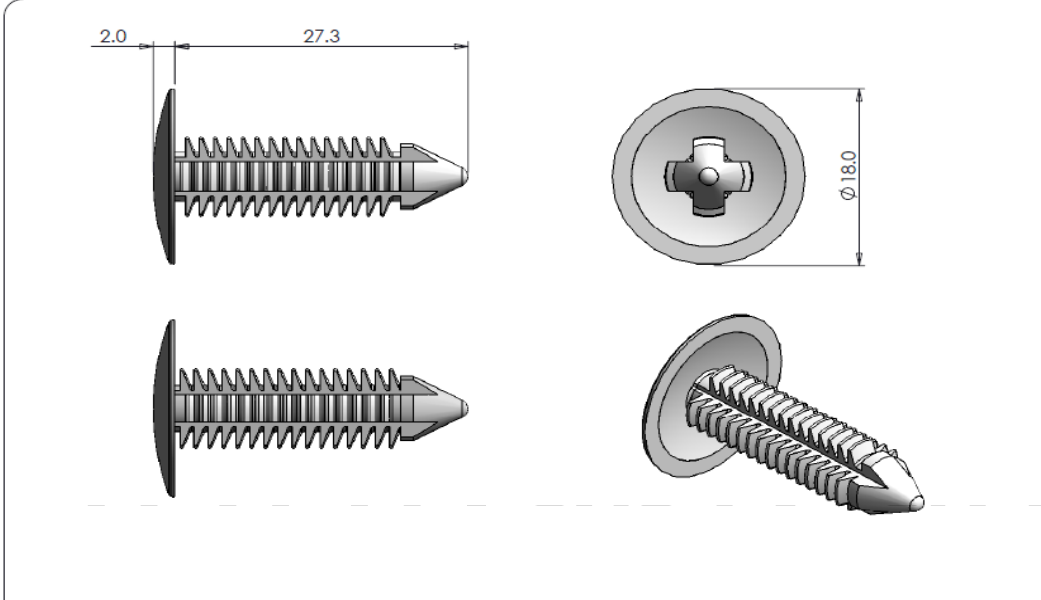
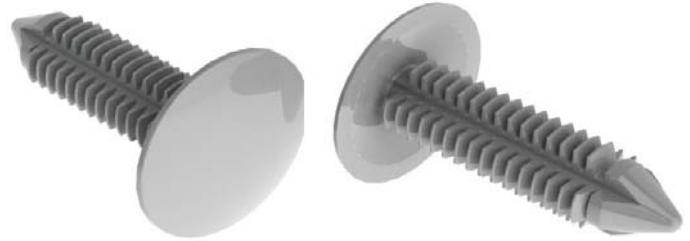
Product Data Sheet



Pine Tree Clips: A core element of our product offer, Pine Tree Clips allow customers to secure 2 or more panels together of similar or dissimilar materials with a low cost highly effective panel fastening system.

Parts are available in 'removable' & 'non-removable' variants. New products have also been developed which offer additional features on the head of the product.

47020 - Pine Tree Clip - Fir Tree Button



NOTES:
 COMPONENT IS ROHS COMPLIANT
 HEAD TO BE FREE FROM TOOLING LINES

PART No.	COLOUR	MATERIAL	HOLE SIZE	PANEL RANGE		HEAD DIA	HEAD HEIGHT	LENGTH	WEIGHT
				MIN	MAX				
47020-BLK	BLACK	PA66	Ø7.0	0.7	20.0	Ø18.0	2.0	27.3	1.03g
47020-NAT	NATURAL	PA66	Ø7.0	0.7	20.0	Ø18.0	2.0	27.3	1.03g
47020-CLR	CLEAR	PP	Ø7.0	0.7	20.0	Ø18.0	2.0	27.3	0.81g

ISSUE	DATE	SIG	REMARKS
3	26/05/11	CJD	DRAWING NO. CHANGED FROM TF0405162
2	29/10/07	CJD	WEIGHT ADDED
1	03/01/07	CJD	SALES DRAWING



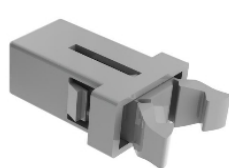
TOLERANCES UNLESS OTHERWISE STATED:
 X 0.50
 XX 0.25
 XXX 0.10
 XXXX 0.05
 ANGLES 0.25°
 ALL DIMENSIONS IN MM
 THIRD ANGLE PROJECTION
 DO NOT SCALE DRAWING, IF IN DOUBT PLEASE ASK!

MATERIAL	SEE TABLE
COLOUR	SEE TABLE
SCALE	2:1 UNLESS SPECIFIED
DRAWN	CJD
DATE	26/05/11
SHEET	1 OF 1

© GBK UK Limited
 THESE DRAWINGS AND THE SPECIFICATIONS, AND THE DATA CONTAINED THEREIN ARE THE PROPERTY OF GBK UK LIMITED. ISSUED IN STRICT CONFIDENCE AND SHALL NOT WITHOUT PRIOR WRITTEN PERMISSION OF GBK UK LIMITED BE PRODUCED, COPIED OR USED FOR ANY PURPOSE WHATSOEVER, EXCEPT THE MANUFACTURE OR ARTICLES FOR GBK UK LIMITED.

DESCRIPTION	DRAWING No.
PINE TREE CLIP	47020

© GBK UK Limited GBK specialise in the following technical product range solutions



Latching Systems



Fastening Systems



Rotary Dampers



Hinge Dampers



Venting Filters

"Engineered Solutions to Everyday Problems"

GBK UK Limited Greenbank, High Lane, Salterforth, Lancashire BB18 5SL England
 Tel: +44 (0)1282 850001 Fax: +44 (0)1282 850003 Mail: info@gbk-uk.com Web: www.gbk-uk.com

It is the responsibility of the end user to determine the suitability of these products for use within their products and/or systems. Specifications are subject to change without prior notice please contact sales office for all upto date information.